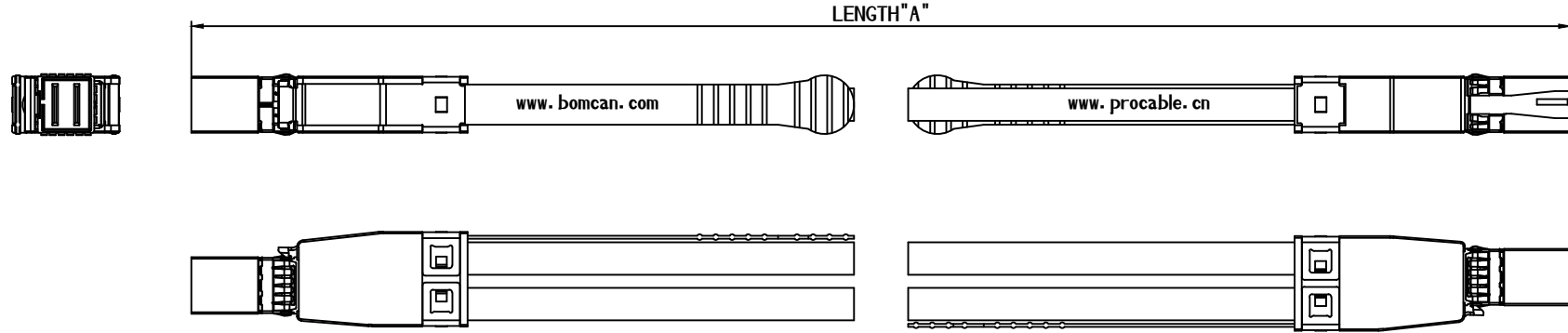


REV	ECN NO	DESCRIPTION	DATE	APPROVED
AA	-	NEW RELEASED	2017.03.15	CLARA

Customer drawings  
**RoHS PASS**



Electrical Character:  
 1. 100% Open / Short / Miswiring testing.  
 2. Insulation resistance: DC300V 10MΩ.  
 3. Conductor resistance: 5Ω.

UNMARKED TOLERANCES		<b>BOMCAN</b>		This drawing contains information that is proprietary to BOMCAN and should not be used without written permission. Powered by bomcan.com				
DIMENSIONS	TOLERANCE							
x.	±1.0	DESCRIPTION	MINISAS HD TO MINISAS HD EXTERNAL CABLE ASSEMBLY 12Gbps					
x.x	±0.5	DWG NO	-	BOMCAN PART No	MINI SAS HD CABLE			
x.xx	±0.25	DRAWN BY	CLARA 2017.03.15	CUSTOMER P/N	-			
0 to 500	+15 / -0	CHECKED BY	CALEB 2017.03.15	SIZE: A3	SHEET	UNIT	SCALE	Third angle projection
< 501	+3% / -0 of length	APPROVED BY	BILL 2017.03.15	REV: AA	1 of 1	mm	Free	
ANGLES								A3
x°	±1°							

www.bomcan.com