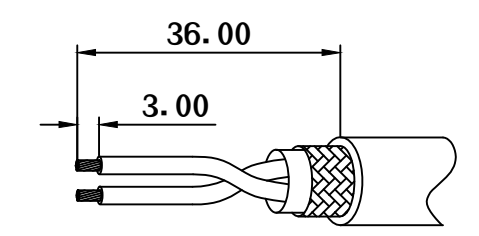
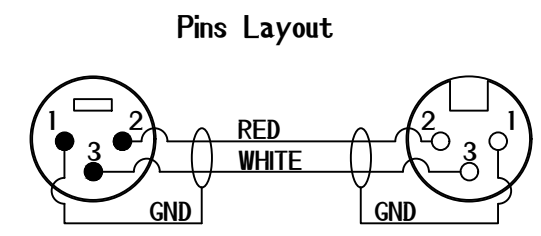
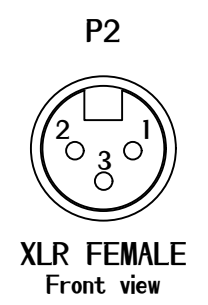
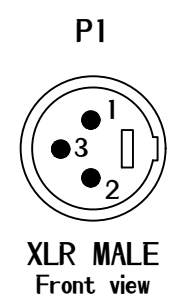
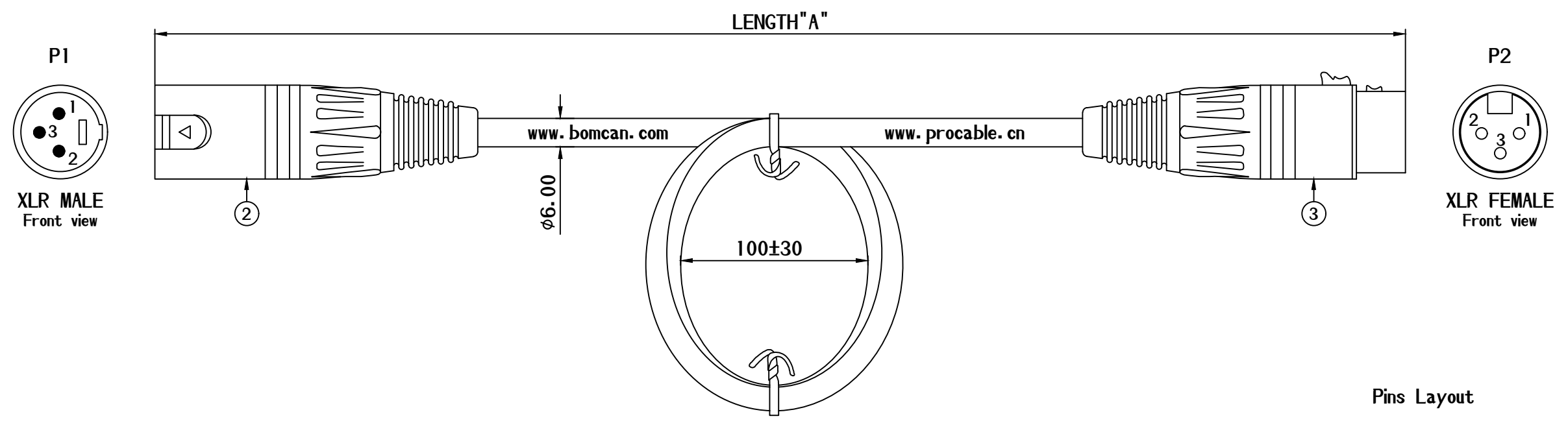


|     |        |              |            |          |
|-----|--------|--------------|------------|----------|
| REV | ECN NO | DESCRIPTION  | DATE       | APPROVED |
| AA  | -      | NEW RELEASED | 2017.03.15 | CLARA    |



RECOMMENDED CABLE JACKET STRIPING OFF DIM'S

**Electrical specifications:**  
 Standard: IEC61076-2-103  
 Use of voltage range: < AC2.4V  
 Current range: 3A  
 Insulation resistance: < 500kΩ  
 Temperature range: -20°C~+80°C  
 Withstand voltage: AC 500V 50- 60HZ for 1 min  
 Without breakdown: 50-60HZ 500V 1 min  
 Impedance: 120 ohm  
 Conductor resistance: max. 80 ohm/km  
 Spec. output resistor: < 10<sup>16</sup> ohm x cm

**Material specifications**  
 Contact: Brass with gold plated  
 Insulation: PA, Black, UL94V-0  
 Housing: Brass with nickel plated

**Mechanical properties**  
 Minimum bending radius: Fixed installation: 8x Cable OD  
 Flexible installation: 10x Cable OD

**Electrical testing of finished cable**  
 100% Open / Short / Miswiring testing  
 Insulation resistance: DC300V 10MΩ  
 Conductor resistance: 5Ω



| UNMARKED TOLERANCES |                  |
|---------------------|------------------|
| DIMENSIONS          | TOLERANCE        |
| x.                  | ±1.0             |
| x.x                 | ±0.5             |
| x.xx                | ±0.25            |
| 0 to 500            | +15 / -0         |
| < 501               | +3%/-0 of length |
| ANGLES              |                  |
| x°                  | ±1°              |



This drawing contains information that is proprietary to BOMCAN and should not be used without written permission. Powered by bomcan.com

|             |                                  |                        |              |
|-------------|----------------------------------|------------------------|--------------|
| DESCRIPTION | DMX CABLE ASSEMBLY XLR CONNECTOR |                        |              |
| DWG NO      | DMX CABLE                        | BOMCAN PART No         | -            |
| DRAWN BY    | CLARA 2017.03.15                 | CUSTOMER P/N           | -            |
| CHECKED BY  | CALEB 2017.03.15                 | SIZE: A3               | SHEET 1 of 1 |
| APPROVED BY | BILL 2017.03.15                  | UNIT                   | mm           |
|             |                                  | SCALE                  | Free         |
|             |                                  | Third angle projection |              |