

REV	ECN NO	DESCRIPTION	DATE	APPROVED
AA	-	NEW RELEASED	2020.03.25	CLARA

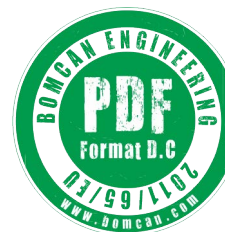
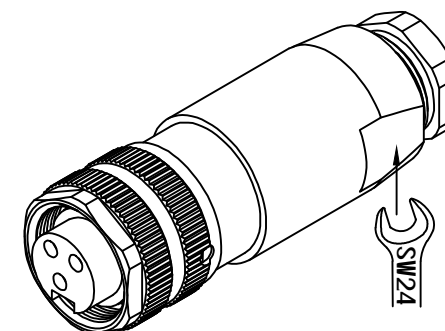
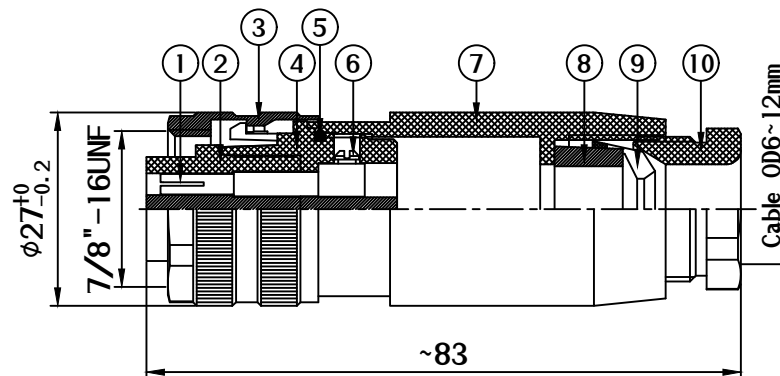
Material specifications

1. Contact: Copper Alloy, Gold-Plated
2. Insulation Housing: PA, Black
3. Connecting Nut: Zinc Alloy, Nickel-Plated
4. Insulation Fixed: PA, Black
5. O-Ring: NBR, Black, 18x1.5mm
6. Screw: M2.5x4, Copper Alloy, Nickel-Plated
7. Plastic Shell Housing: PA, Black
8. Cable Sealing: Silicone, Black
9. Cable Clamp: PA, Black
10. Cable Locking Nut: PA, Black

Technical Data:

1. Standard: -
2. Rated Voltage: See Table 1
3. Rated Current: See Table 1
4. Rated Temperature: -40°C~+80°C
5. Durability: ≥500 Times Cycles
6. Protection Degree: IP67(Correct locking state)

Manufacturer: Bomcan.com



Connector Table 1

Bomcan Part No.	Coding & Pins	Socket Pin out	Contact Size(mm)	Rated Current	Rated Voltage
M78A05SP01ST	A Code 3 Pin		2.0	12A	600V/DC
M78A05SP01ST	A Code 4 Pin		2.0	12A	600V/DC
M78A05SP01ST	A Code 5 Pin		2.0	10A	600V/DC

BOMCAN

This drawing contains information that is proprietary to BOMCAN and should not be used without written permission. Powered by bomcan.com

DESCRIPTION	MINI CHANGE 7/8"-16UNF CONNECTOR SOCKET FIELD ASSEMBLY				
DWG NO	M78AXXSP01ST	BOMCAN PART No	M78AXXSP01ST		
DRAWN BY	CLARA 2020.03.25	CUSTOMER P/N	-		
CHECKED BY	CALEB 2020.03.25	SIZE: A4	SHEET	UNIT	SCALE
APPROVED BY	BILL 2020.03.25	REV: AA	1 of 1	MM	FREE

