

REV	ECN NO	DESCRIPTION	DATE	APPROVED
AA	-	NEW RELEASED	2020.03.25	CLARA

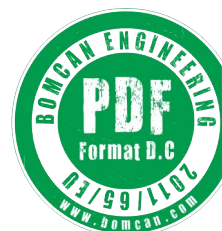
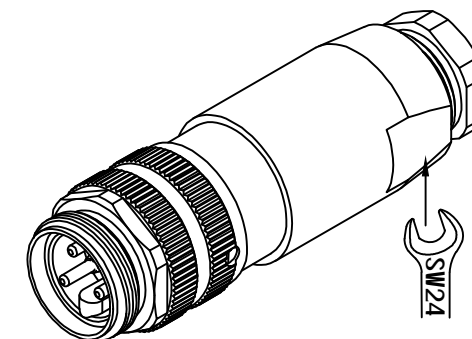
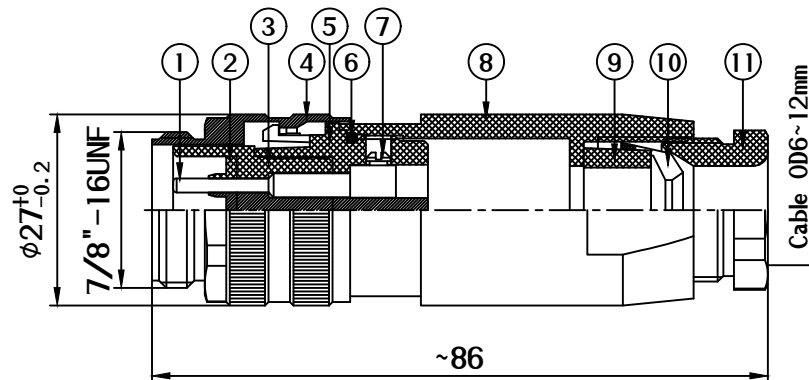
**Material specifications**

1. Contact: Copper Alloy, Gold-Plated
2. Sealing gasket: Silicone, Black
3. Insulation Housing: PA, Black
4. Connecting Nut: Zinc Alloy, Nickel-Plated
5. Insulation Fixed: PA, Black
6. O-Ring: NBR, Black, 18x1.5mm
7. Screw: M2.5x4, Copper Alloy, Nickel-Plated
8. Plastic Shell Housing: PA, Black
9. Cable Sealing: Silicone, Black
10. Cable Clamp: PA, Black
11. Cable Locking Nut: PA, Black

**Technical Data:**

1. Standard: -
2. Rated Voltage: See Table 1
3. Rated Current: See Table 1
4. Rated Temperature: -40°C~+80°C
5. Durability: ≥500 Times Cycles
6. Protection Degree: IP67(Correct locking state)

Manufacturer: Bomcan.com



Connector Table 1

Bomcan Part No.	Coding & Pins	Plug Pin out	Contact Size(mm)	Rated Current	Rated Voltage
M78A05PP01ST	A Code 3 Pin		2.0	12A	600V/DC
M78A05PP01ST	A Code 4 Pin		2.0	12A	600V/DC
M78A05PP01ST	A Code 5 Pin		2.0	10A	600V/DC

**BOMCAN**

This drawing contains information that is proprietary to BOMCAN and should not be used without written permission. Powered by bomcan.com

DESCRIPTION	MINI CHANGE 7/8"-16UNF CONNECTOR PLUG FIELD ASSEMBLY			
DWG NO	M78AXPP01ST	BOMCAN PART No	M78AXPP01ST	
DRAWN BY	CLARA 2020.03.25	CUSTOMER P/N	-	
CHECKED BY	CALEB 2020.03.25	SIZE: A4	SHEET	UNIT
APPROVED BY	BILL 2020.03.25	REV: AA	1 of 1	MM
			SCALE	Third angle projection
			FREE	