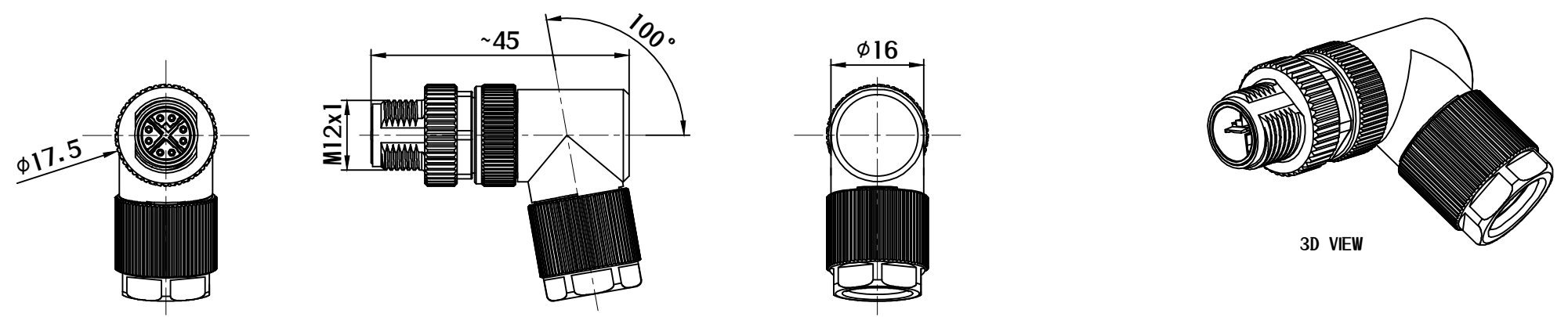


REV	ECN NO	DESCRIPTION	DATE	APPROVED
AA	-	NEW RELEASED	2020.03.25	CLARA

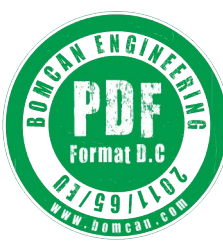
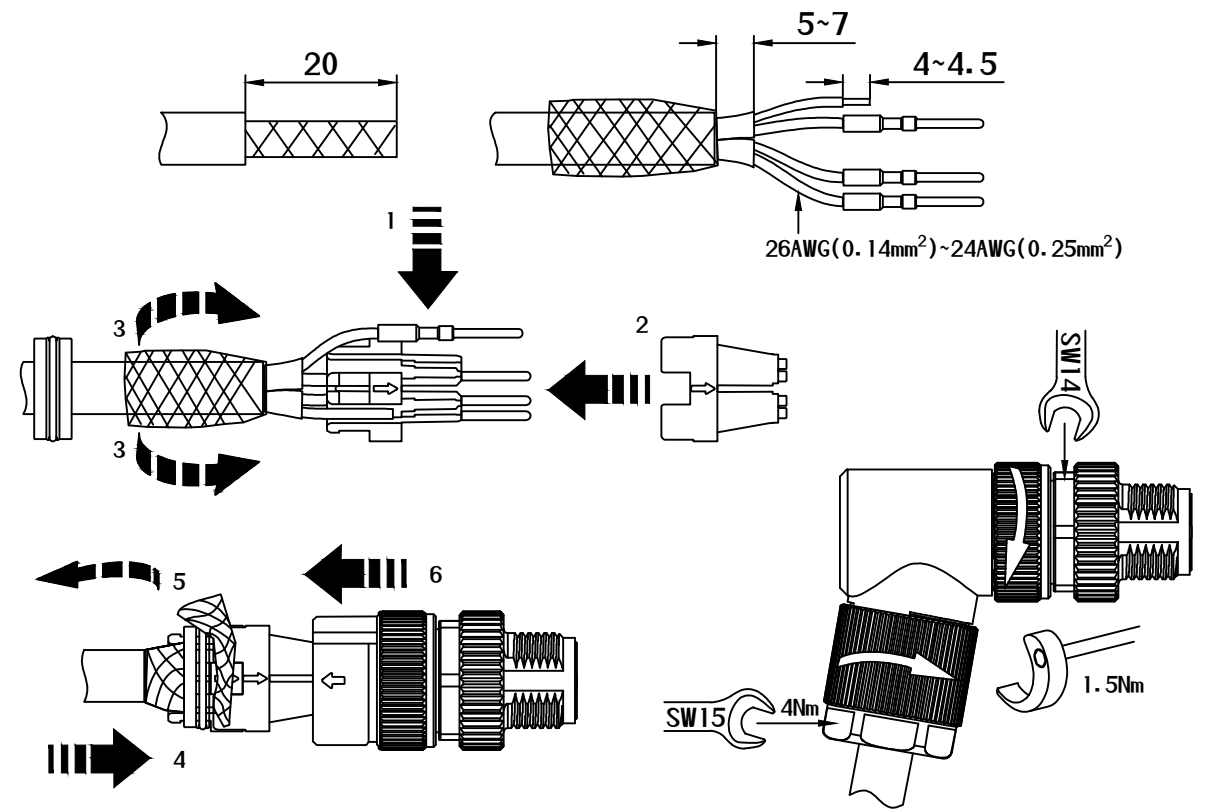
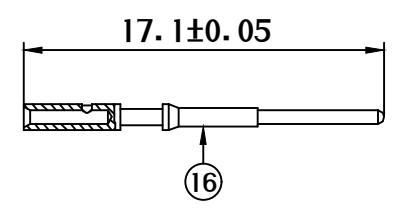
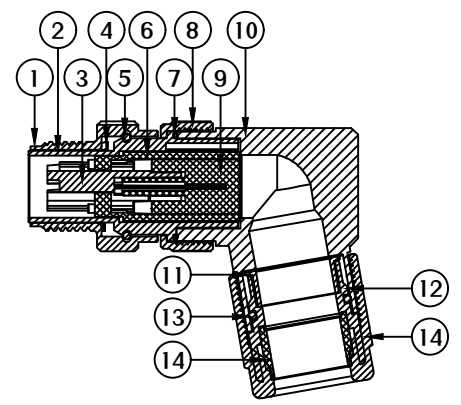


**Material:**

1. Metal Thread: Zinc Alloy, Nickel-Plated
2. Metal Housing: Zinc Alloy, Nickel-Plated
3. Cross Shell: Zinc Alloy, Nickel-Plated
4. Metal Shrapnel: Stainless Steel, Nickel-Plated
5. Snap Ring: Stainless Steel, Nickel-Plated
6. Insulation Housing: PA, Black
7. O-Ring: Silicone, Black
8. Metal Connect Nut: Copper Alloy, Nickel-Plated
9. Insulation Sleeve: PA, Black
10. Metal Body: Zinc Alloy, Nickel-Plated
11. Clamp Ring: Copper Alloy, Nickel-Plated
12. Cable Clamp: PA, Black
13. O-Ring: Silicone, Black
14. Pressing Nut: Zinc Alloy, Nickel-Plated
15. Seal: Silicone, Black
16. Contact: Copper Alloy, Gold-Plated

**Technical Data:**

1. Standard: IEC61076-2-109
2. Rated Voltage: DC60V/AC50V
3. Rated Current: 0.5A
4. Temperature Range: -40°C~+85°C
5. Mating Life: ≥500 Times Cycles
6. Protection Degree: IP67 (Correct locking state)
7. Transmission rate: 10Gbit/s
8. Bandwidth requirements: CAT6a
9. Applicable Cable Diameter: φ7~9mm
10. Applicable Wire Gauge: 26AWG~24AWG



UNMARKED TOLERANCES	
DIMENSIONS	TOLERANCE
x.	±1.0
x.x	±0.5
x.xx	±0.25
0 to 500	+15 / -0
< 501	+3% / -0 of length
ANGLES	
x°	±1°



This drawing contains information that is proprietary to BOMCAN and should not be used without written permission. Powered by bomcan.com

DESCRIPTION	M12 X CODE PLUG ETHERNET CONNECTOR FIELD INSTALLATION ANGLED			
DWG NO	M12X08PM01RA	BOMCAN PART No	M12X08PM01RA	
DRAWN BY	CLARA 2020.03.25	CUSTOMER P/N	-	
CHECKED BY	CALEB 2020.03.25	SIZE: A3	SHEET	UNIT
APPROVED BY	BILL 2020.03.25	REV: AA	1 of 1	mm
		SCALE	Free	Third angle projection