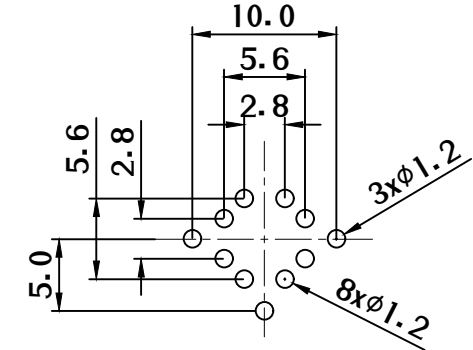
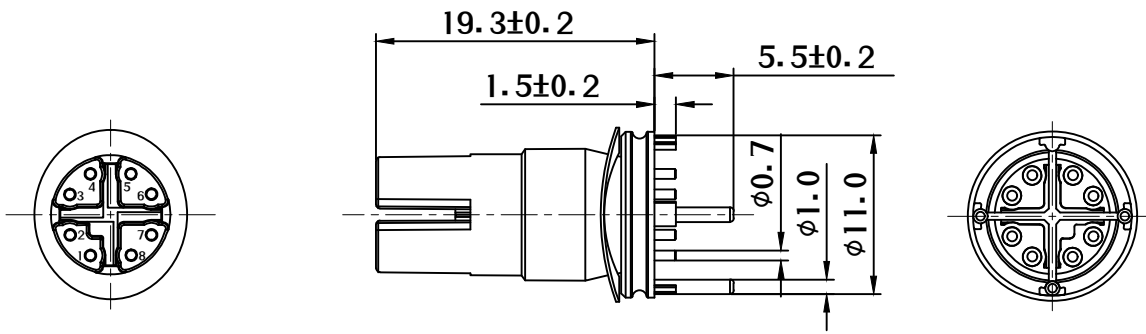


1		2		3		4		5	
REV	ECN NO	DESCRIPTION		DATE	APPROVED				
AA	-	NEW RELEASED		2020.07.28	CLARA				



Recommend P. C. B Layout

Material:

1. Insulation Housing: LCP, Black.
2. Corrugated gasket: Manganese steel, Nickel-Plated
3. Shield fixed: Zinc Alloy with Nickel-Plated
4. Contact: Brass with Gold-Plated

Technical Data:

1. Standard: IEC61076-2-109
2. Rated Voltage: 60V DC
3. Rated Current: 0.5A
4. Rated Temperature: -40°C~+85°C
5. Durability: ≥100 Times Cycles
6. Protection Degree: IP67 (Correct locking state)



This drawing contains information that is proprietary to BOMCAN and should not be used without written permission. Powered by bomcan.com

DESCRIPTION	M12 X CODE ETHERNET CONNECTOR DEVICE REFLOW SOLDERING				
DWG NO	M12SMD08XS01	BOMCAN PART No	M12SMD08XS01		
DRAWN BY	CLARA 2020.07.28	CUSTOMER P/N	-		
CHECKED BY	CALEB 2020.07.28	SIZE: A4	SHEET	UNIT	SCALE
APPROVED BY	BILL 2020.07.28	REV: AA	1 of 1	MM	FREE

