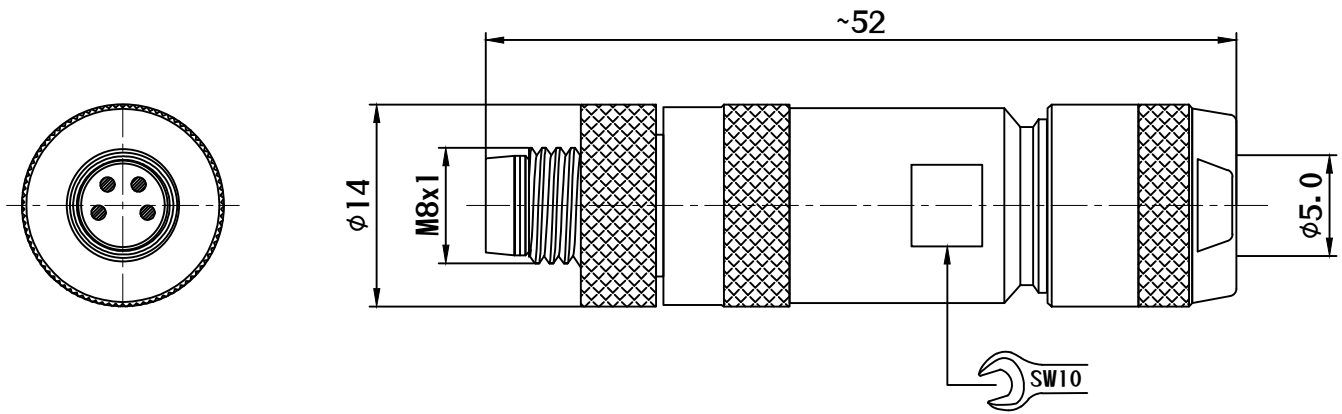


1		2		3	
REV	ECN NO	DESCRIPTION		DATE	APPROVED
AA	-	NEW RELEASED		2015. 12. 01	CLARA



Material:

1. Insulation: PA, Black
2. Contact: Copper Alloy, Gold-Plated
3. M8 Metal Thread: Copper Alloy, Nickel-Plated
4. Shell: Copper Alloy, Nickel-Plated
5. O-Ring: NBR, Black
6. Connect Contact: Copper Alloy, Gold-Plated
7. Screw: Stainless iron
8. Cable Seal: Silicon, Black
9. Cable Clamp: PA, Black
10. Pressing Nut: Copper Alloy, Nickel-Plated



Connector Table 1

Bomcan Part No.	Coding & Pins	Plug Pin out	Contact Size(mm)	Rated Current	Rated Voltage
M08A03PM01ST	A Code 3 Pin		1.0	4A	60V/DC
M08A04PM01ST	A Code 4 Pin		1.0	4A	60V/DC

Technical Data:

1. Standard: IEC61076-2-104
2. Rated Voltage: 60V DC
3. Rated Current: 4A
4. Rated Temperature: -40°C~+85°C
5. Durability: ≥100 Times Cycles
6. Protection Degree: IP67 (Correct locking state)
7. Applicable Cable Diameter: φ3~4.5mm



This drawing contains information that is proprietary to BOMCAN and should not be used without written permission. Powered by bomcan.com

DESCRIPTION	METAL M8 SENSOR CONNECTOR PLUG FIELD ASSEMBLY				
DWG NO	M08AXXPM01ST	BOMCAN PART No	M08AXXPM01ST		
DRAWN BY	CLARA 2015. 12. 01	CUSTOMER P/N	-		
CHECKED BY	CALEB 2015. 12. 01	SIZE: A4	SHEET	UNIT	SCALE
APPROVED BY	BILL 2015. 12. 01	REV: AA	1 of 1	MM	FREE
					Third angle projection